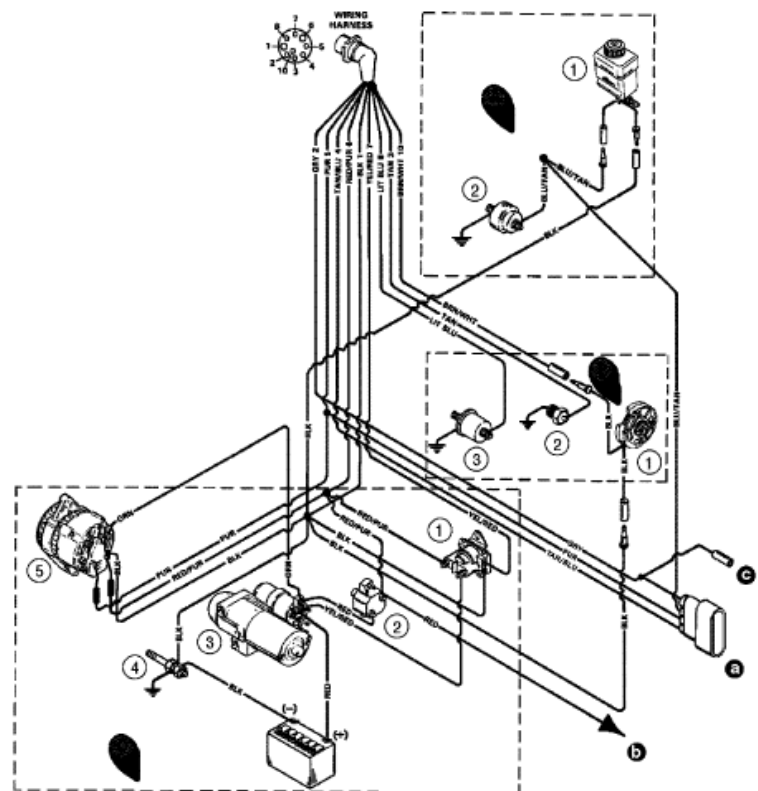


Parts List

Ref	Class	Part	Description	Qty	Comment	Footnote
-	84	806656A 6	WIRING HARNESS-ENGINE	1		



A-AUDIO WARNING SYSTEM

- 1 - Drive Unit Oil Level
- 2 - Oil Pressure Switch

B-INSTRUMENTATION SYSTEM

- 1 - Trim Sender
- 2 - Water Temperature Sender
- 3 - Oil Pressure Sender

C-CHARGING AND STARTING SYSTEM

- 1 - Starter Slave Solenoid
- 2 - Circuit Breaker
- 3 - Starter
- 4 - Ground Stud
- 5 - Alternator

A - Charging And Starting Circuit

- B - Audio Warning/Power Reduction Circuit
- C - Instrumentation Senders

- a - Harness Connector To Efi System Harness
- b - Positive (+) Power Wire To Efi System Harness
- c - Auxiliary Tachometer Lead